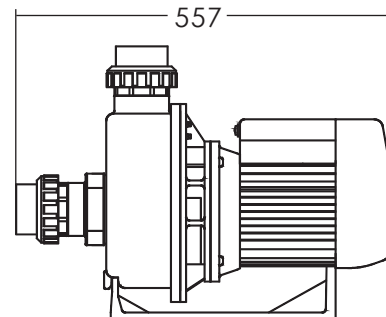
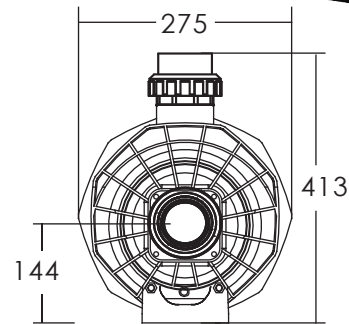
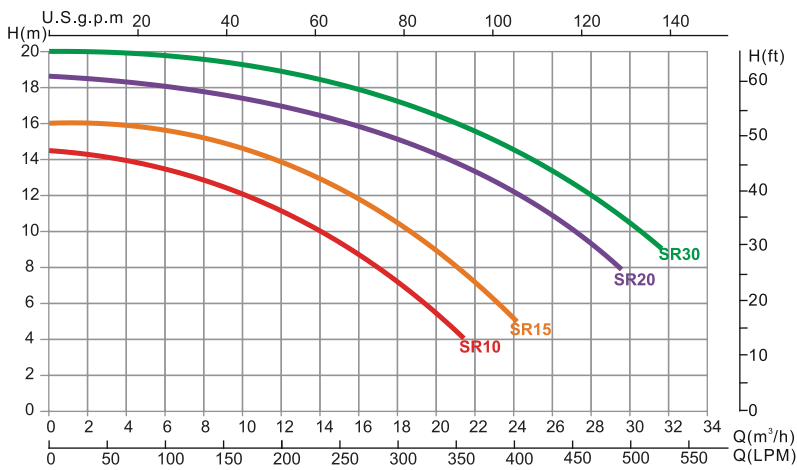


SR SERIES PUMP



Technical Information:



Product Information and Dimension:

Model 50Hz	Input (kW)	Current (AMP)	Noise (dB)	Head (m)					
				6	8	10	12	14	16
SR10	0.97	4.7	67	19.6	17	14	10	4	--
SR15	1.30	5.9	67	23.2	21	18.8	14.8	11.6	2
SR20	1.80	8.2	69	31	29.2	27	24	20.5	16
SR30	2.18	10.5	69	34	32	30.5	28	25	21

Code 220V/50Hz	Code 380V/50Hz	Code 220V/60Hz	Model	Connection Size	Horsepower	Weight(kg)	Capacitance 220V
88023605	88023905	88023705	SR10	2" / 63mm	1.0hp	14.70	25µF
88023607	88023907	88023707	SR15	2" / 63mm	1.5hp	16.30	25µF
88023608	88023908	88023708	SR20	2" / 63mm	2.0hp	19.70	30µF
88023609	88023909	88023709	SR30	2" / 63mm	3.0hp	22.10	35µF

EMAUX WATER TECHNOLOGY CO., LTD

ADDRESS G/F 41 TIN HAU TEMPLE ROAD,

NORTH POINT, HONG KONG

PHONE +852 2832 9880

www.emauxgroup.com



STRIVE FOR CLEAR WATER

Available from: